

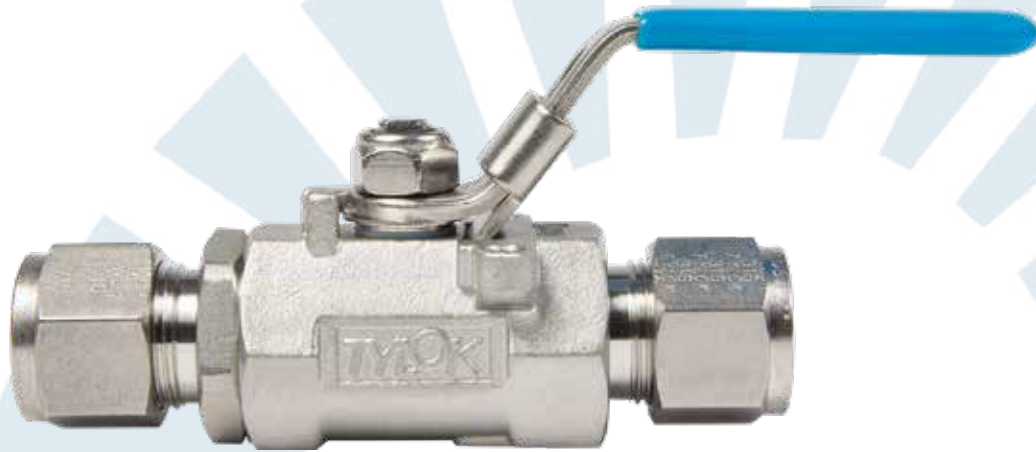
The GP Series Ball Valve is an instrumentation valve solution for tubing & piping systems. It is available from 1/4" to 1" with tube end connections and from 1/4" to 1/2" with female pipe threads for female to female applications.

Tylok General Purpose Ball Valve Series is a moderate pressure ball valve for general service. They are designed for tight shut-off, long service life, and low operating torque.

- 2,000 psig (138 bar) Pressure Rating
- Built-in actuator mounting holes for ease of automation
- Bi-directional flow
- Compact in size but with high flow capacity
- Oval or Butterfly Handles available
(locking devices not available on butterfly handles)

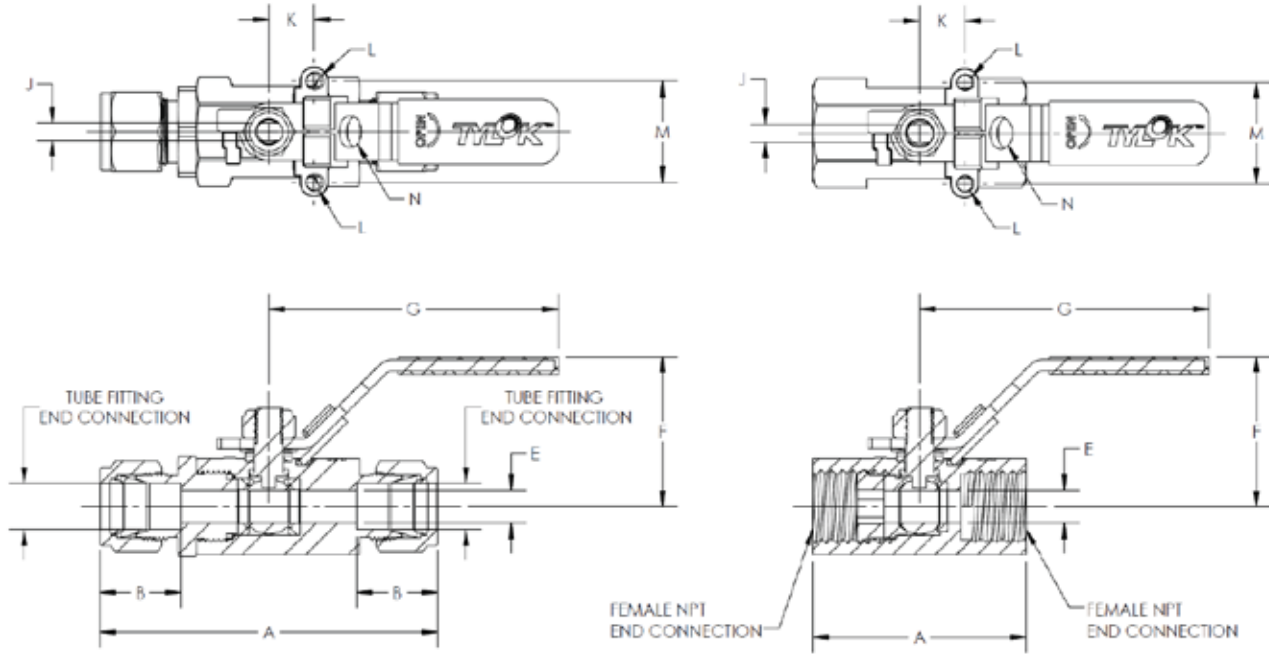


GP Series



Features

- Blow out Proof Stem
- Stainless Steel Construction
- Locking Handles in On & Off positions
- Mounting Holes Available for Automation
- Material: Stainless Steel Cast CF8M
- Pressure Rating: 2000 psi (138 bar) at 100°F (38°C)
- Temperature Rating: 400°F (204°C) max.
- Seat Material: TFM 1600
- Flow Coefficient (Cv) 1.20 to 17.35
- Size Range 1/4" to 1"
- Integral Tube Fitting [Both Twin [CBC-Lok® & Single [CS-Lok®] Ferrule Designs]
- Female NPT x Female NPT
- 100% factory leak tested with Nitrogen at 1000 psi
- Maximum allowable leak rate is 0.1 std cc/min.

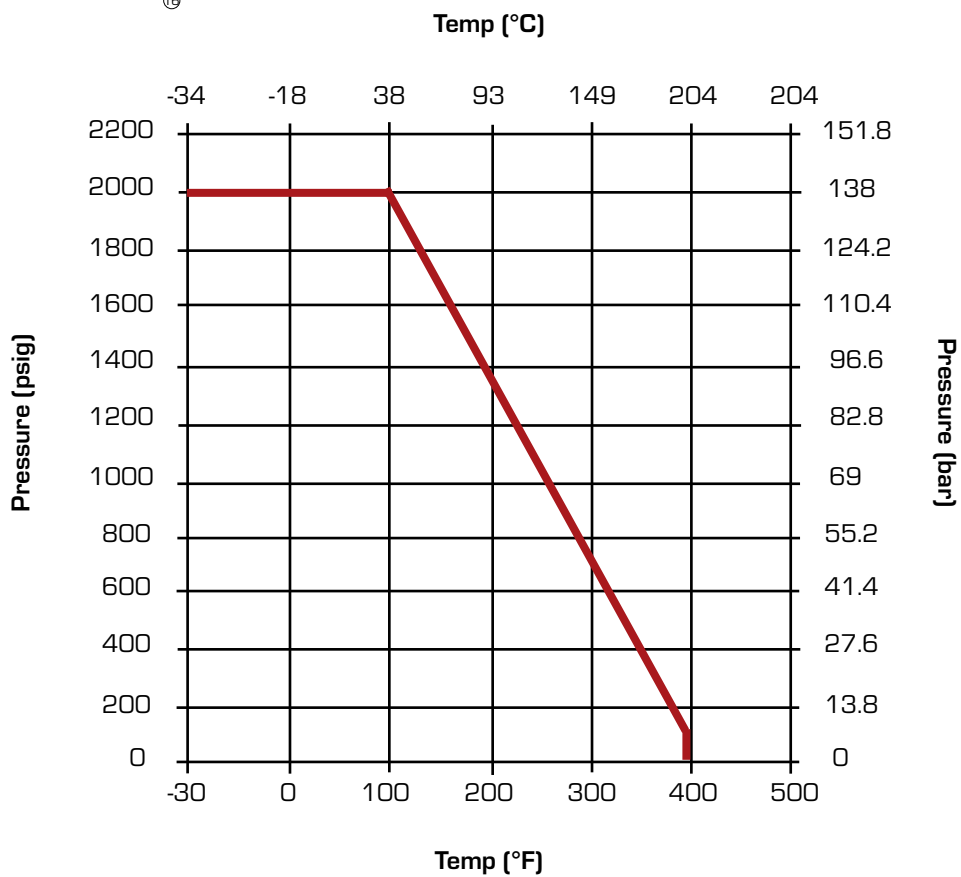
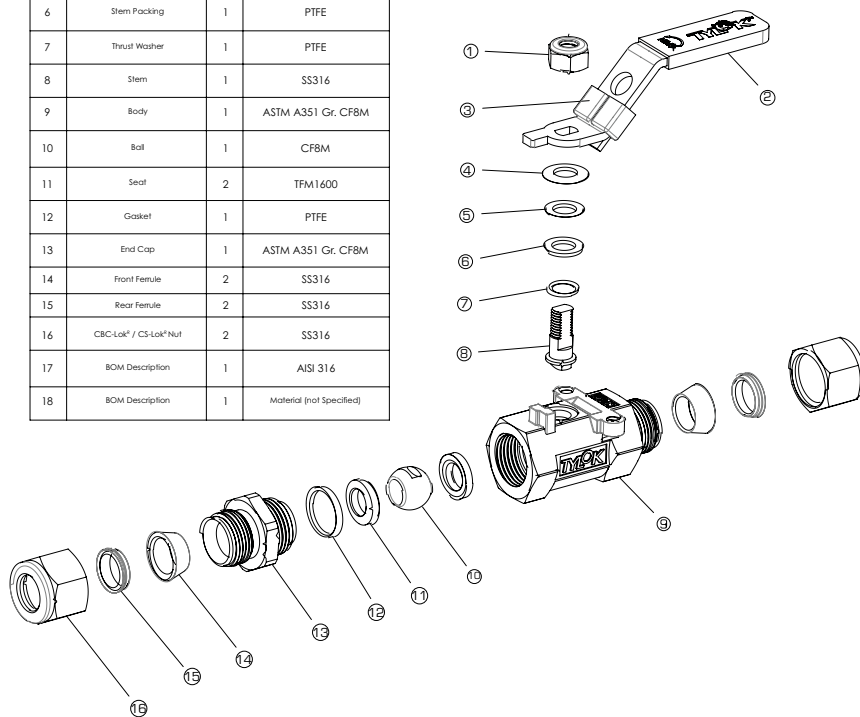


| End Connection | | Part Number | Cv | A | B | E | F | G | J | K | L | M | N |
|----------------------------|------|----------------|-------|------|------|------|------|------|------|------|----------|------|--------------------------------------|
| Type | Size | | | | | | | | | | | | |
| CBC-Lok Tube Fitting | 1/4 | SS-GP4-D4D4 | 1.25 | 2.95 | 0.61 | 0.20 | 1.38 | 2.44 | 0.12 | 0.50 | M5 X 0.8 | 1.12 | 5/16" Lock Shackle Diameter |
| | 3/8 | SS-GP6-D6D6 | 2.50 | 3.15 | 0.67 | 0.28 | 1.46 | 3.15 | 0.16 | | | | |
| | 1/2 | SS-GP8-D8D8 | 9.25 | 3.75 | 0.90 | 0.36 | 1.69 | 3.23 | 0.20 | | | | |
| | 3/4 | SS-GP12-D12D12 | 12.65 | 4.34 | 0.96 | 0.49 | 1.81 | 3.74 | 0.20 | | | | |
| | 1 | SS-GP16-D16D16 | 17.35 | 4.91 | 1.24 | 0.59 | 2.05 | 4.02 | 0.24 | | | 0.87 | |
| CS-Lok Tube Fitting | 1/4 | SS-GP4-S4S4 | 1.25 | 2.95 | 0.61 | 0.20 | 1.38 | 2.44 | 0.12 | 0.50 | M5 X 0.8 | 1.12 | 5/16" Lock Shackle Diameter |
| | 3/8 | SS-GP6-S6S6 | 2.50 | 3.15 | 0.67 | 0.28 | 1.46 | 3.15 | 0.16 | | | | |
| | 1/2 | SS-GP8-S8S8 | 9.25 | 3.75 | 0.90 | 0.36 | 1.69 | 3.23 | 0.20 | | | | |
| | 3/4 | SS-GP12-S12S12 | 12.65 | 4.34 | 0.96 | 0.49 | 1.81 | 3.74 | 0.20 | | | | |
| | 1 | SS-GP16-S16S16 | 17.35 | 4.91 | 1.24 | 0.59 | 2.05 | 4.02 | 0.24 | | | 0.87 | |
| Female NPT | 1/4 | SS-GP4-F4F4 | 1.20 | 1.89 | - | 0.20 | 1.38 | 2.44 | 0.12 | 0.50 | M5 X 0.8 | 1.12 | 5/16" Lock Shackle Diameter |
| | 3/8 | SS-GP6-F6F6 | 2.40 | 2.09 | | 0.28 | 1.46 | 3.15 | 0.16 | | | | |
| | 1/2 | SS-GP8-F8F8 | 4.27 | 2.48 | | 2.48 | 1.69 | 3.23 | 0.20 | | | | |

General Purpose Ball Valves

GP Series

| NO. | DESCRIPTION | QTY. | MATERIAL |
|-----|-------------------------------------|------|--------------------------|
| 1 | Hex Lock Nut (with Nylon Insert) | 1 | SS304 |
| 2 | Handle | 1 | SS304 |
| 3 | Locking Device | 1 | SS304 |
| 4 | Belleville Washer | 1 | SS301 |
| 5 | Washer | 1 | SS304 |
| 6 | Stem Packing | 1 | PTFE |
| 7 | Thrust Washer | 1 | PTFE |
| 8 | Stem | 1 | SS316 |
| 9 | Body | 1 | ASTM A351 Gr. CF8M |
| 10 | Ball | 1 | CF8M |
| 11 | Seat | 2 | TFM1-600 |
| 12 | Gasket | 1 | PTFE |
| 13 | End Cap | 1 | ASTM A351 Gr. CF8M |
| 14 | Front Ferrule | 2 | SS316 |
| 15 | Rear Ferrule | 2 | SS316 |
| 16 | CBC-Lok® / CS-Lok® Nut | 2 | SS316 |
| 17 | BOM Description | 1 | AISI 316 |
| 18 | BOM Description | 1 | Material (not Specified) |



Handle Options

Tylok's GP Series Ball Valves are available with two other handle options:

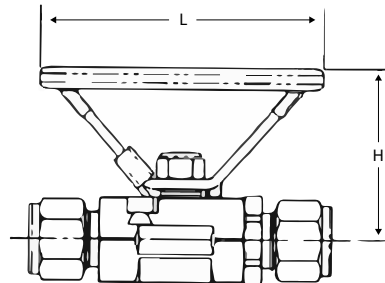
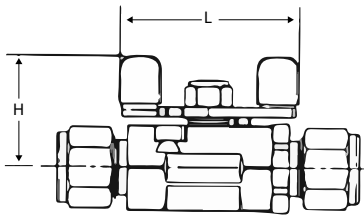
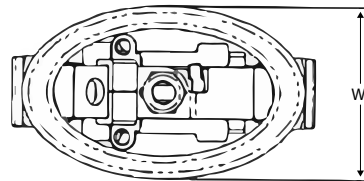
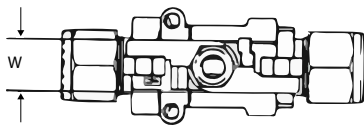
Butterfly Handle

For applications where space limits the use of a standard lever handle

Oval Handle

For applications where lever handles may pose a hazard if mistakenly actuated.

GP Series



| Size | Butterfly Handle | | | Oval Handle | | |
|------|------------------|------|------|-------------|------|-----|
| | H | L | W | H | L | W |
| 1/4 | 1.53 | 3.51 | 2.14 | 1.17 | 2.00 | .48 |
| 3/8 | 1.75 | 3.51 | 2.14 | 1.20 | 2.10 | .55 |
| 1/2 | 2.12 | 3.51 | 2.14 | 1.38 | 2.22 | .63 |
| 3/4 | 2.23 | 3.51 | 2.14 | 1.50 | 2.22 | .63 |
| 1 | 2.40 | 3.51 | 2.14 | 2.08 | 2.81 | .79 |

For optional handle styles, add the following to the end of the part number:

| | |
|------|---|
| -OH | Oval Handle with Lock Hole for 5/16" Shackle Diameter |
| -BH | Butterfly Handle with No Lock Hole |
| -025 | Lever Handle with Lock Hole for 1/4" Shackle Diameter |